



THE QUIET ONE®

Best In Class Quiet Blending Technology

The ultimate blender with unparalleled sound reduction, exceptional beverage blends, and improved speed of service.

Smart Product Design

- Advance vibration dampening technology; resulting in quality drinks in a more enjoyable atmosphere
- Magnetically secured floating sound enclosure is dramatically easier to clean and disassemble. No screws to damage the enclosure
- 6 program buttons with 34 optimized programs for easier, consistent blending
- Advance® Container is made of BPA-free Eastman Tritan® copolyester to provide scratch, shatter, and chemical resistance over the life of the product. Its built-in dripless spout improves pourability for reduced mess and waste.
- Air management and powerful ≈ 3 peak output HP motor reduces noise, improves reliability and reduces down time



Product Specifications

The Quiet One®

Item Number: On-Counter: 58674
 In-Counter: 58676

Motor: ≈3 peak output horsepower motor

Electrical: 220 – 240 V, 50/60 Hz, 1300 – 1500 W

Pack: Includes The Quiet One® with 1,4 L high-impact, clear/stackable Advance® Tritan container complete with Advance blade assembly and lid, and removable compact enclosure.

Net Weight: 9,1 kg, (12,7 kg with box)

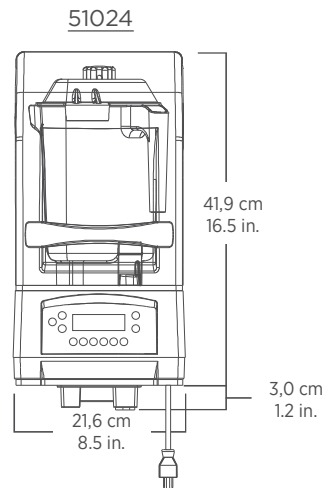
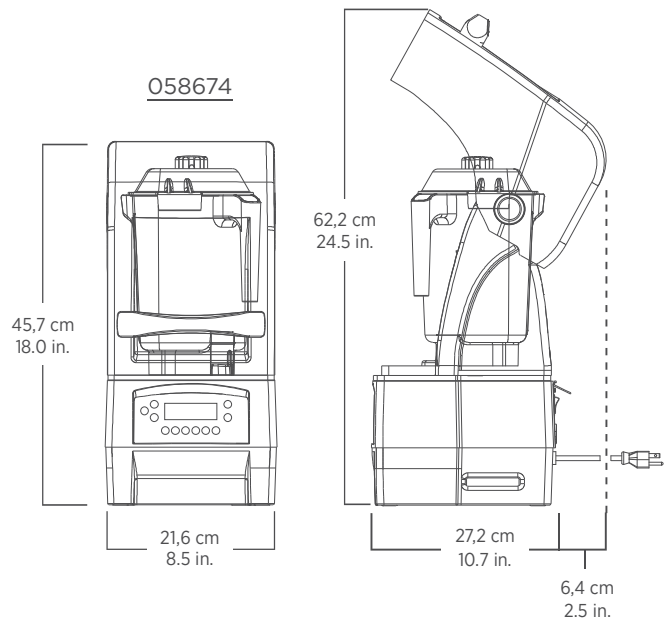
Dimensions:

On-Counter: 45,7 x 21,6 x 27,2 cm (H x W x D)
 Height with lid open: 62,2 cm

In-Counter: 41,9 x 21,6 x 27,2 cm (H x W x D)
 Height with lid open: 58,4 cm
 Depth below counter: 3,0 cm

Warranty: Please contact your authorized Vitamix distributor for warranty information.

For more information, please contact an authorized Vitamix distributor, or Vitamix international customer service.



Where applicable:



Contact Information

Outside U.S.A.
 Phone: +1 440.782.2450
 Fax: +1 440.782.2220
 Email: international@vitamix.com

For more information, contact your local foodservice distributor.