

CWTF35A-3 (2U/1L Warmer)

Height: 18.9" (48.0cm) Width: 8.4" (21.3cm) Depth: 21.4" (54.4cm)

- Model is space-saving 8.5" (21.6cm) wide
- All stainless steel construction
- Hot water faucet (requires active plumbing connection)
- Pourover feature
- SplashGard® funnel deflects hot liquids away from the hand
- Servers not included unless otherwise noted



Server(s) sold separately

Agency:



Specifications

Product #: 12950.0277

Faucet: Upper

Water Access: Plumbed

Warmers: Two Upper/ One Lower

Finish: Stainless

Funnel: Black Plastic

Additional Features

Pourover Option

Electrical & Capacity

Volts*	Amps	Watts	Cord Attached	Plug Type	8oz cups/hr 236ml cups/hr	Input H ₂ O Temp.	Phase	# Wires plus Ground	Hertz
220-240	14.5-15.8	3200-3800	Yes	EURO 16A	109	60°F (15.5°C)	1	2	50-60

*When a BUNN is machine rated 120/208-240V, 120/208V or 120/240V, the higher voltage is the supply voltage needed to power the machine. The 120V is there to supply power to some components rated 120V in the machine, but it is not the supply voltage and would not power the machine if the machine is marked with the before mentioned ratings.

Plumbing Requirements

PSI	kPa	Fitting Supplied	Water Flow Required (GPM)
20-90	138-621	1/4" Male Flare Fitting	-

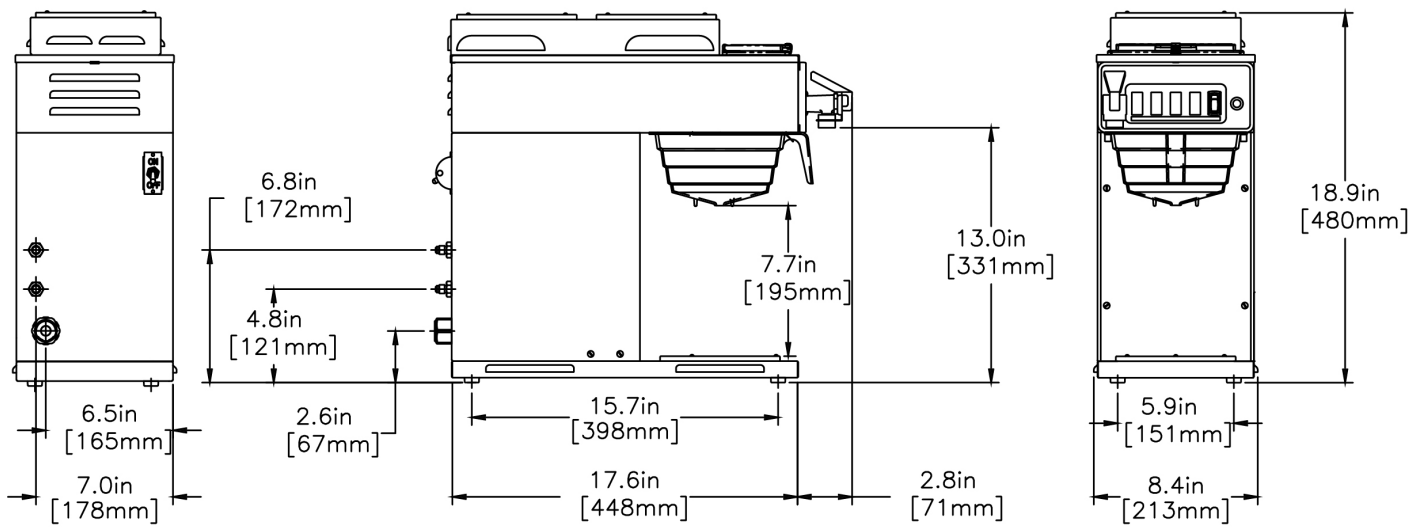
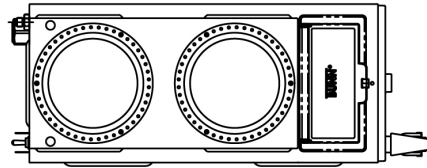
CAD Drawings

2D	Revit	KLC
●		



BUNN® reserves the right to change specifications and product design without notice. Such revisions do not entitle the buyer to corresponding changes, improvements, additions or replacements for previously purchased equipment. For most current specifications and other info visit bunn.com.

Last Updated:
04/08/2021



	Unit			Shipping				
	Height	Width	Depth	Height	Width	Depth	Weight	Volume
English	18.9 in.	8.4 in.	21.4 in.	23.8 in.	12.5 in.	26.5 in.	33.600 lbs	4.566 ft ³
Metric	48.0 cm	21.3 cm	54.4 cm	60.3 cm	31.8 cm	67.4 cm	15.241 kgs	0.129 m ³



BUNN® reserves the right to change specifications and product design without notice. Such revisions do not entitle the buyer to corresponding changes, improvements, additions or replacements for previously purchased equipment. For most current specifications and other info visit bunn.com.

Last Updated:
04/08/2021

Related Products & Accessories: CWTF35A-3 (2U/1L Warmer)(12950.0277)



FILTERS,REGULAR1M
500/2 50/CL

Product #: 20115.0000



FUNNEL W/DECALS,
BLACK PLASTIC

Product #: 20583.0003



BUNN® reserves the right to change specifications and product design without notice. Such revisions do not entitle the buyer to corresponding changes, improvements, additions or replacements for previously purchased equipment. For most current specifications and other info visit bunn.com.

Last Updated:
04/08/2021

Serving & Holding Options: CWTF35A-3 (2U/1L Warmer)(12950.0277)



EASY POUR®,(BLK) 1/CS

Product #:06100.0101



EASY POUR®,(BLK) 2/CS

Product #:06100.0102



EASY POUR®,(BLK) 3/CS

Product #:06100.0103



EASY POUR®,(BLK) 6/CS

Product #:06100.0106



EASY POUR®,(BLK) 12/
CS

Product #:06100.0112



EASY POUR®,(BLK) 24/
CS

Product #:06100.0124



EASY POUR®,(ORN) 1/
CS

Product #:06101.0101



EASY POUR®,(ORN) 2/
CS

Product #:06101.0102



EASY POUR®,(ORN) 3/
CS

Product #:06101.0103



EASY POUR®,(ORN) 24/
CS

Product #:06101.0124



DECANTER, GLASS-BLK
12C 24/CS

Product #:42400.0024



DECANTER, GLASS-BLK
12CUP 1PK

Product #:42400.0101



DECANTER, GLASS-BLK
12C 3/CS

Product #:42400.0103



DECANTER, GLASS-ORN
12C 24/CS

Product #:42401.0024



DECANTER, GLASS-
ORN 12 CUP 1PK

Product #:42401.0101



DECANTER, GLASS-ORN
12C 3/CS

Product #:42401.0103



BUNN® reserves the right to change specifications and product design without notice. Such revisions do not entitle the buyer to corresponding changes, improvements, additions or replacements for previously purchased equipment. For most current specifications and other info visit bunn.com.

Last Updated:
04/08/2021