

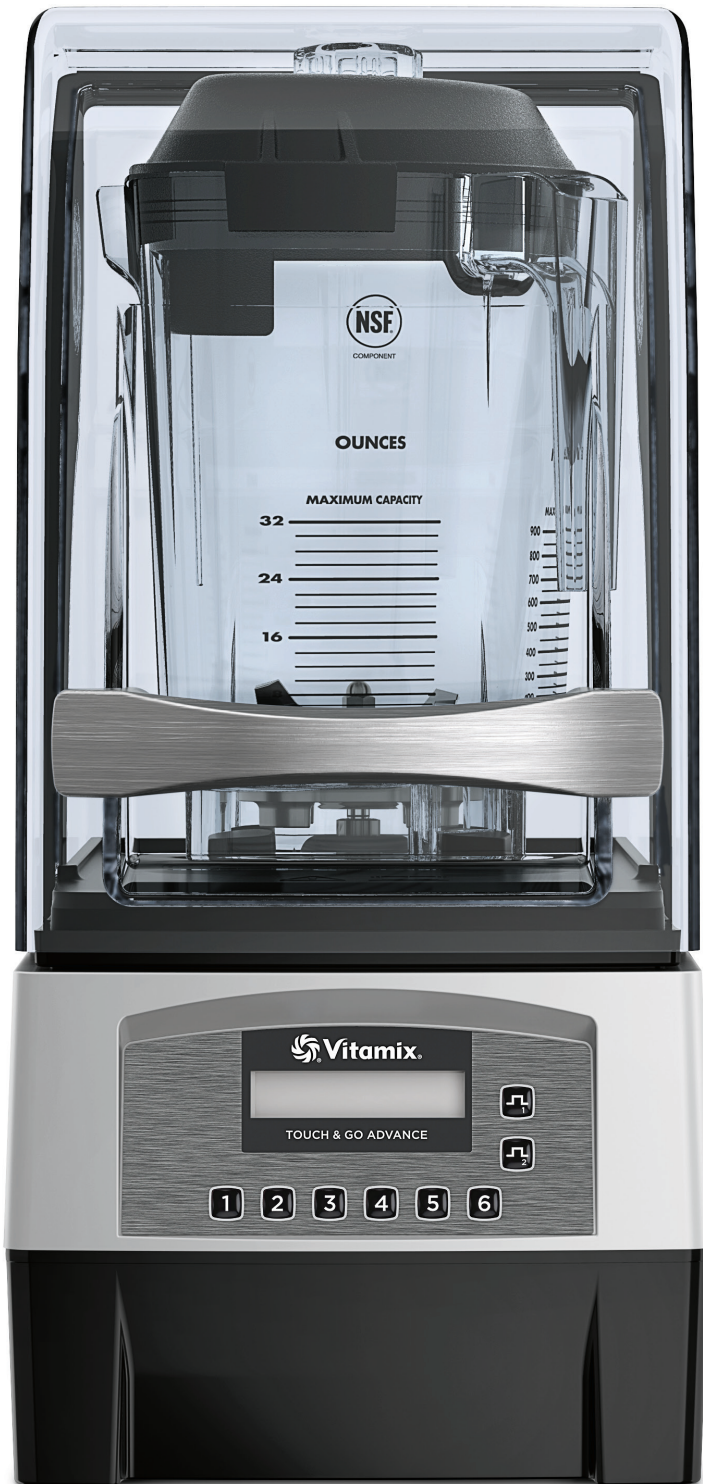


Power, Consistency, and Noise Reduction for Smaller Volume Shops

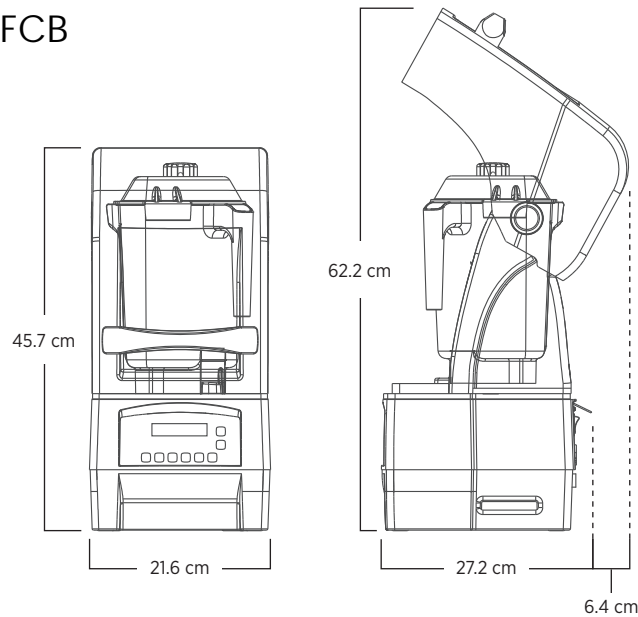
The Touch & Go Advance offers a powerful motor, convenient pre-set controls, and noise reduction for smaller-volume shops.

Smart Product Design

- ≈2.3 HP motor blends frozen drinks with ease
- Twist Lock sound enclosure features a no-tools-required design for easy removal and cleaning
- 6 pre-set buttons blend the most commonly made drinks
- 20 recipe programs provide consistent results quickly and easily
- 0.9-liter Advance container creates smooth, pourable blends



Model : 068552-AFCB



Includes Touch & Go Advance with 0.9-liter high-impact, clear/stackable Advance container, complete with Advance blade assembly and lid, and removable compact cover.*

For more complete warranty terms and conditions, please contact your authorized Vitamix distributor.

*Standard 2.0-liter container cannot be used with the compact cover.

Product Specifications

Motor	≈2.3 peak output horsepower motor	
Electrical	220-240 V, 50-60 Hz, 1100-1300 W	Taiwan: 110 V, 50-60 Hz, 1200 W
Net Weight	8.6 kg (10.5 kg with box)	
Dimensions	45.7 x 21.6 x 27.2 cm (HxWxD) Height with lid open: 62.2 cm	

Also Available

- 0.9 L Clear Advance container complete with Advance blade assembly and lid
- 0.9 L Blue Advance container complete with Advance blade assembly and blue lid
- 0.9 L Yellow Advance container complete with Advance blade assembly and yellow lid
- 0.9 L Orange Advance container complete with Advance blade assembly and orange lid
- 0.9 L Purple Advance container complete with Advance blade assembly and purple lid
- 0.9 L BPA-free, Aerating container complete with aerating blade assembly, lid, and mini tamper

Not all products are offered in all countries. Products and item numbers may differ in your local market. Please contact your Vitamix Account Representative for product availability and item details.

Contact Information

Commercial Sales

+1 440.782.2450
international@vitamix.com

Technical Support

+1 440.782.2450
commercialts@vitamix.com

vitamix.com

For more information, please contact an authorized Vitamix distributor, or Vitamix international customer service.

