



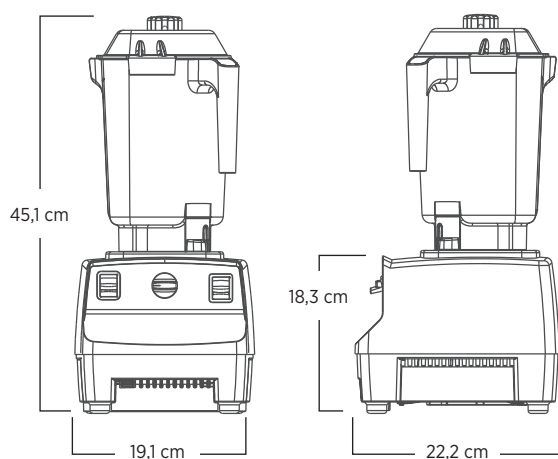
An Essential Tool for Maximizing Your Beverage Program

From smoothies to frozen cocktails, the Drink Machine Advance is an essential tool for adding or expanding a blended beverage program in any bar, restaurant, or cafe.

Smart Product Design

- 6 optimized programs and automatic shut-off means you can turn it on, walk away, and achieve consistent results
- Pulse Control provides off-menu flexibility to fine tune recipes
- 1.4-liter Advance container creates faster, smoother pours and has a longer blade life, resulting in time and cost savings along with improved customer experience
- ≈2.3 HP motor is designed to resist overheating when blending extra-thick ingredients, resulting in cooler operation and enhanced reliability during peak hours
- Sturdy controls provide improved grip





Includes Drink Machine Advance with 1.4-liter high-impact, clear/stackable Advance container, complete with Advance blade assembly and lid, and black or red base.

For more complete warranty terms and conditions, please contact your authorized Vitamix distributor.

Not all products are offered in all countries. Products and item numbers may differ in your local market. Please contact your Vitamix Account Representative for product availability and item details.

Product Specifications

Motor	≈2.3 peak output horsepower motor
Electrical	220-240 V, 50/60 Hz, 1000-1200 W
Net Weight	5,23 kg, (6,14 kg with box)
Dimensions	45,1 x 19,1 x 22,2 cm (HxWxD)

Contact Information

+1.440.782.2450

international@vitamix.com

vitamix.com

For more information, please contact an authorized Vitamix distributor, or Vitamix international customer service.

