

# RNP0320 Nugget Ice Machines

## Models

- RNP0320A



RNP0320A Nugget Ice Machine on Multiplex SV-250 Dispenser

Model RNP0320A Nugget Ice Machine on D-420 Bin

## Standard Features

- Bite sized nugget with 85% ice content offers one of the best ice to water ratios for maximum cooling and minimal drink dilution
- Up to 308 lbs (140 kg) of daily ice production
- Perfect for beverage applications, dispensing, smoothies, and cold therapy
- Can be paired with any Multiplex beverage dispenser for an unbeatable soft drink experience
- High load maintenance free bearings for enhanced reliability
- R290 Refrigerant is environmentally friendly with less ozone depletion compared to R404



## Specifications

**BTU per hour:**  
7,511 (average)

**Compressor:**  
Nominal rating: 3/4 HP

**Refrigerant:**  
R290

### Operating Limits:

- Ambient Temperature Range: 50°-110°F (10°-43°C)
- Water Temperature Range: 37°-90°F (3°-32°C)
- Water Pressure Ice Maker Water In:  
Min. 14 psi (96.5 kPa)  
Max. 80 psi (551.1 kPa)

## Ice Machine Electric

115/60/1 standard. (230/50/1 also available.)

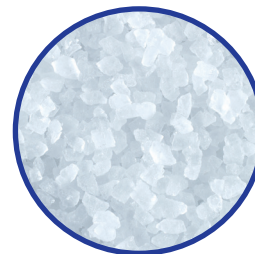
**Minimum circuit ampacity:**  
7.5 amps.

**Maximum fuse size:**  
15 amps.

HACR-type circuit breakers can be used in place of fuses.

## Ice Shape

Nugget ice consists of small pieces ranging from 3/8" to 1/2" in width and length on average. Offers a 85% ice to water ratio with a soft, chewable texture while still providing maximum cooling effect and great dispensibility.



Ice shown actual size

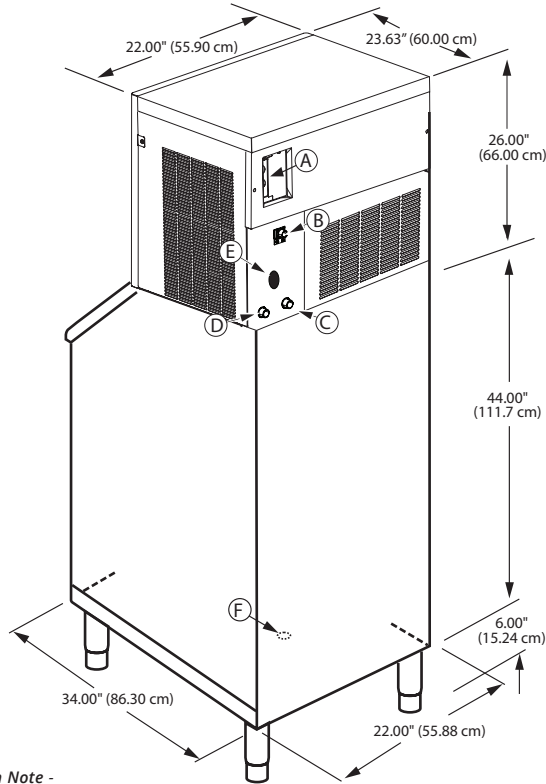


RNP0320 Nugget Ice Machine



# RNP0320 Nugget Ice Machine

## RNP0320 on D-420



**Installation Note -**  
Minimum installation clearance:  
Top/sides: 8" (20.32 cm),  
Back: 5" (12.70 cm).

**Dispenser Note -**  
Verify with the dispenser  
manufacturer that the correct  
agitator and deflector kit for  
nugget ice dispensing is included  
with your dispenser purchase. Use  
9" Discharge Tube for dispenser  
applications (ships standard with  
the ice machine).

- (A) Electrical Entrance (2) Options
- (B) 3/8" F.P.T. Condenser Inlet (water-cooled only)
- (C) 1/2" M.P.T. Condenser Drain (water-cooled only)
- (D) 1/2" M.P.T. Ice Making Water Drain
- (E) 3/8" F.P.T. Ice Making Water Inlet
- (F) 3/4" Bin Drain

## Space-Saving Designs



### RNP0320A on D-420

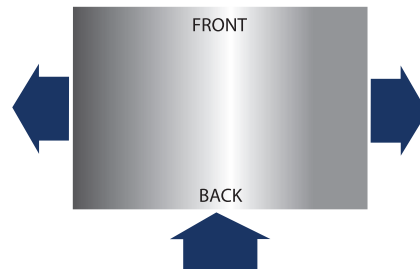
Height	76.00"
	193.00 cm
Width	22.00"
	55.90 cm
Depth	34.00"
	86.36 cm
Bin Storage	310 lbs
	140.7 kg

Height includes adjustable bin legs 6.00" to 7.00", (15.24 to 17.78 cm) set at 6.00" (15.24 cm).

## Accessories

K00472 30" D Style Bin Adapter

## Air Flow Overhead View



Air in Back, Out Sides.

Air-Cooled Ice Machine	Model	Ice Shape	Ice Production 24 Hours		Power kWh/100 lbs @ 90°Air/70°F	Potable Water Usage (100 lbs./45.4 kgs of Ice)
			70° Air/50°F Water 21° Air/10° C Water	90° Air/70°F Water 32° Air/21° C Water		
	RNP0320A	Nugget	308 lbs 140 kg	236 lbs 107 kg	6.88 ★	12 gal 45.4 L

★ ENERGY STAR® 3.0

Manitowoc Ice reserves the right to make changes to the design or specifications without prior notice.