



## M Series 1400 Ice Cube Machine

Model:  MD1400A-251B  MY1400A-251B  MD1400N-251B  MY1400N-251B



M1400 Ice Machine on A970V Bin

- Up to 670 kgs(1477 lbs) daily ice production and only 48.00" (122.00 cm) wide
- R-410A CFC-free refrigerant
- Easy access to food zone with removal of two screws and lift-off door
- White plastics in the food zone help identify areas needing cleaning
- Water shield, distribution tube, pump, floats, and trough removable by hand
- Available CleanAir™ pack controls the growth of bacteria and fungi that form slime and cause odors in the food zone

### Specifications

**BTU Per Hour:**  
2,8300 (average), 3,4300 (peak)

**Compressor:**  
Nominal Rating: 2.5 HP

**Refrigerant:**  
R-410A

**Operating Limits:**

- Ambient Temperature Range: 1.7°C to 43.3°C

- Water Temperature Range: 1.7°C to 32.2°C

- Water Pressure Ice Maker Water In:  
Min. 20 psi (137.9kPA)  
Max. 80 psi (551.1kPA)



### Ice Machine Electric

220-240/50/1 standard

**Total Circuit Ampacity:**  
Air Cooled: 17.1A  
Remote Cooled: 17.1A

**Maximum Fuse Size:**  
30A

HACR-type circuit breakers can be used in place of fuses

### Cube Size Available



**Half-dice**  
3/8" X 1 1/8" X 7/8"  
(0.95 x 2.86 x 2.22 cm)



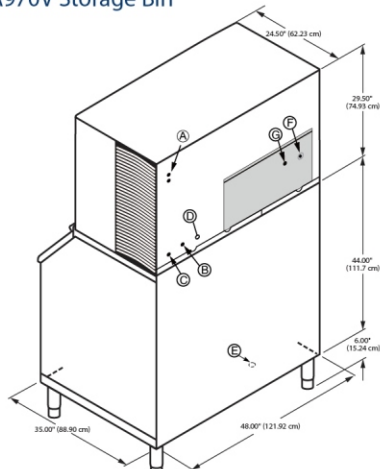
**Dice**  
7/8" X 7/8" X 7/8"  
2.22 X 2.22 X 2.22 (cm)





# M Series 1400 Ice Cube Machine

M1400 on A970V Storage Bin



- A) Electrical Entrance (2) Options
- B) 3/8" (0.95 cm) F.P.T. Ice Making Water Inlet
- C) 1/2" (1.27 cm) F.P.T. Ice Making Water Drain
- D) 1/2" (1.27 cm) Auxiliary Base Drain Socket
- E) 3/4" (1.91 cm) Bin Drain
- F) 3/8" (0.95 cm) F.P.T. Water Condenser Inlet (water-cooled units)
- G) 1/2" (1.27 cm) F.P.T. Water Condenser Outlet (water-cooled units)

Installation Note - Minimum installation clearance:  
 Top/sides: 8" (20.32 cm), back: 5" (12.70 cm).

### Space-Saving Designs



#### M1400 A970V

Height	79.50" 201.93cm
Width	48.00" 121.92 cm
Depth	35.00" 88.90 cm
Bin Storage	710 lbs 323 kg

Height includes adjustable bin legs 6.00" to 7.00"  
 (15.24 cm to 17.78 cm) set at 6.00" (15.24 cm).

Model	Ice Shape	Ice Production 24 Hours		Power Usage kWh/100 lbs. @90°Air/70°F	Water Usage 100 lbs. 45.4 kgs. of Ice
		70°Air/ 50°F Water	90°Air/ 70°F Water		
MD1400A-251B	dice	649 kg	479 kg	5.3	75.7
		1431 lbs	1056 lbs		
MY1400A-251B	half-dice	670 kg	498 kg	5.3	75.7
		1477 lbs	1099 lbs		
MD1400N-251B	dice	618 kg	518 kg	5.0	75.7
		1362 lbs	1142 lbs		
MY1400N-251B	half-dice	640 kg	523 kg	5.0	75.7
		1411 lbs	1152 lbs		

Order ice storage bin separately. Suffix of model "A" means air cooled condenser, Suffix of model "W" means water cooled condenser.

#### CleanAir™ Pack Slime Inhibitor



CleanAir™ Pack Accessory is patented technology that releases chlorine dioxide on a controlled basis to inhibit the growth of bacteria and fungi that form slime and cause odors in the food zone ice machines.

#### Easy Access to Parts of Water System



Water shield, distribution tube, pump, floats, and trough removable by hand

#### Easy Access to Air Filter



Easy to clean, reusable air filter protects condenser from lint, grease and dust.