

ICBA-DBC®-TWIN

Height: 26.3" Width: 20.2" Depth: 24.8"
(66.8cm) (51.3cm) (63.0cm)



- Each side has 3 brew buttons, allowing for 3 separate brewing profiles. Two programmable batch switches allow full and half batch brewing.
- Two voltages available, 120-208/28amp or 120-240/25amp
- Brews into 2.5 to 3.8L (84 to 128oz) airpots and 3.8 and 5.7L (1 to 1.5gal) baseless ThermoFresh® servers for easy transport of coffee to other locations
- BrewWISE® intelligence with pre-infusion and pulse brew for maximum flavor extraction
- Digital display in English/Spanish for easier programming and control. Advertising messages and machine status also displayed. Display capable of showing English or Metric measurements.
- Energy-saver mode reduces tank temperature during idle periods
- Large 5.6gal (21.2L) tank provides back-to-back brewing capacity at 120/208-240V applications
- Servers not included unless otherwise noted

Server(s) sold separately

Agency:



Specifications

Product #: 37600.0008

Water Access: Plumbed

Finish: Stainless

Funnel: Smart Funnel

Additional Features

BrewWISE

Electrical & Capacity

Volts*	Amps	Watts	Cord Attached	Plug Type	8oz cups/hr 236ml cups/hr	Input H ² O Temp.	Phase	# Wires plus Ground	Hertz
220-240	24.8-27.1	5400-6000	-	-	280	60°F (15.5°C)	1	2	50/60

*When a BUNN is machine rated 120/208-240V, 120/208V or 120/240V, the higher voltage is the supply voltage needed to power the machine. The 120V is there to supply power to some components rated 120V in the machine, but it is not the supply voltage and would not power the machine if the machine is marked with the before mentioned ratings.

Plumbing Requirements

PSI	kPa	Fitting Supplied	Water Flow Required (GPM)
20-90	138-621	3/8" Male Flare Fitting	-

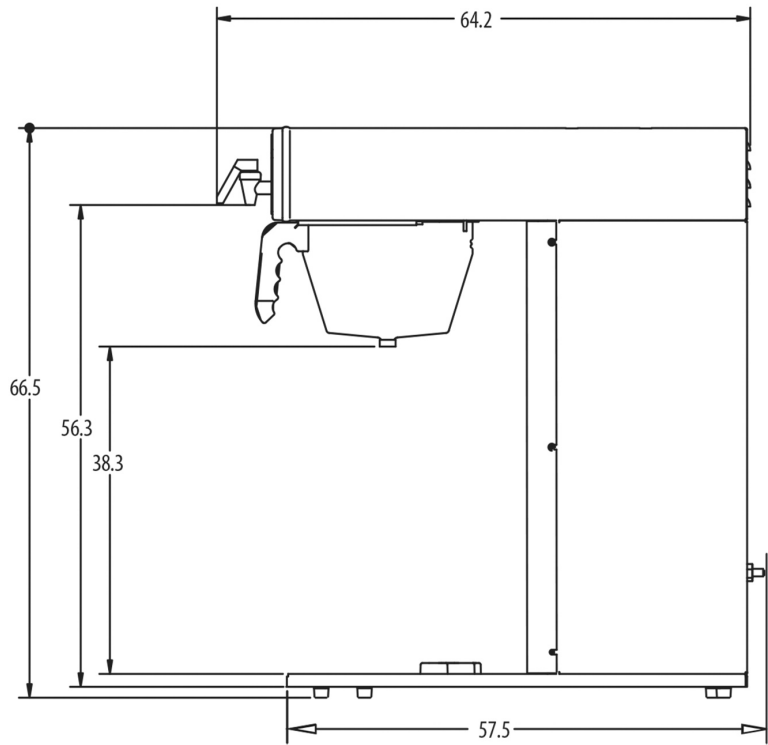
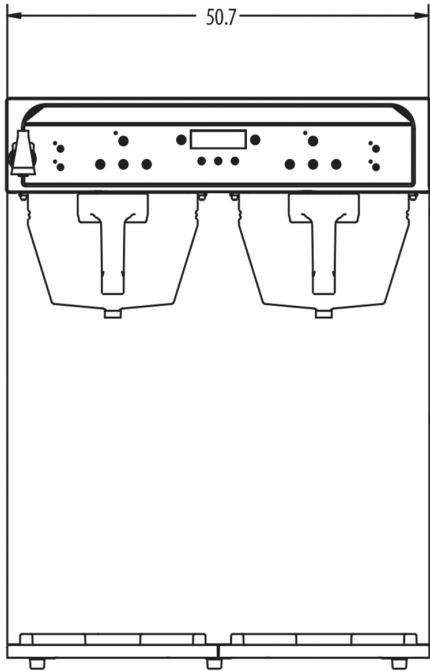
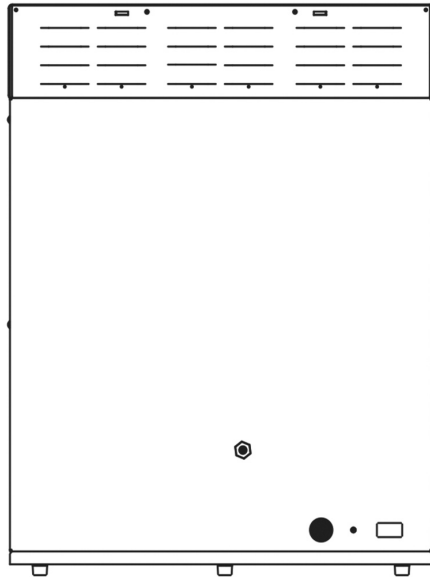
CAD Drawings

2D	Revit	KLC
●		



BUNN® reserves the right to change specifications and product design without notice. Such revisions do not entitle the buyer to corresponding changes, improvements, additions or replacements for previously purchased equipment. For most current specifications and other info visit bunn.com.

Last Updated:
12/02/2020



	Unit			Shipping				
	Height	Width	Depth	Height	Width	Depth	Weight	Volume
English	26.3 in.	20.2 in.	24.8 in.	30.0 in.	23.9 in.	28.4 in.	73.540 lbs	11.761 ft ³
Metric	66.8 cm	51.3 cm	63.0 cm	76.2 cm	60.6 cm	72.1 cm	33.358 kgs	0.333 m ³



BUNN® reserves the right to change specifications and product design without notice. Such revisions do not entitle the buyer to corresponding changes, improvements, additions or replacements for previously purchased equipment. For most current specifications and other info visit bunn.com.

Last Updated:
12/02/2020

Related Products & Accessories: ICBA-DBC®-TWIN(37600.0008)



FILTERS, GOURMET 500
500/1 50/CL

Product #: 20138.1000



STAND ASSY, TF
SERVER

Product #: 39795.0003



BUNN® reserves the right to change specifications and product design without notice. Such revisions do not entitle the buyer to corresponding changes, improvements, additions or replacements for previously purchased equipment. For most current specifications and other info visit bunn.com.

Last Updated:
12/02/2020

Serving & Holding Options: ICBA-DBC®-TWIN(37600.0008)



AIRPOT, 2.5L SST LA
SINGLE PK

Product #:32125.0000



AIRPOT, 2.5L SST LA 6/
CASE

Product #:32125.0100



AIRPOT, 3.0L SST LA
SINGLE PK

Product #:32130.0000



AIRPOT, 3.0L SST LA 6/
CASE

Product #:32130.0100



AIRPOT, 3.8L SST LA
SINGLE PK

Product #:36725.0000



AIRPOT, 3.8L SST LA 6/
CASE

Product #:36725.0100



TF SERVER, DSG2 1G
SST NOBASE

Product #:42700.0050



TF SERVER, DSG2 1G
BLK NOBASE

Product #:42700.0051



TF SERVER, DSG2 1.5G
SST NOBAS

Product #:42750.0050



TF SERVER, DSG2 1.5G
BLK NOBAS

Product #:42750.0051



TF SERVER, 1G/3.8L
MECH NOBASE

Product #:44000.0050



TF SERVER, 1G/3.8L
MECH BLK NOBASE

Product #:44000.0051



TF SERVER, 1.5G/5.7L
MECH NOBASE

Product #:44050.0050



TF SERVER, 1.5G/5.7L
MECH BLK NOBASE

Product #:44050.0051



BUNN® reserves the right to change specifications and product design without notice. Such revisions do not entitle the buyer to corresponding changes, improvements, additions or replacements for previously purchased equipment. For most current specifications and other info visit bunn.com.

Last Updated:
12/02/2020