

1SH Soft Heat® Stand Stainless

Height: 11.6" Width: 10.1" Depth: 13.2"
(29.5cm) (25.7cm) (33.5cm)

- LED power indicator shows server is operational
- Safety-Fresh® patented brew-through lid with vapor seal and spill prevention
- Soft Heat® servers supply controlled heat to coffee to maintain flavor and temperature
- Remote one server docking station for additional satellite coffee serving
- Docking stations have instant power contact with servers



Agency:



Specifications

Product #: 27825.0001

Finish: Stainless

Legs: 4" Satin Nickel Legs

Additional Features

Electrical & Capacity

Volts*	Amps	Watts	Cord Attached	Plug Type	8oz cups/hr 236ml cups/hr	Input H ² O Temp.	Phase	# Wires plus Ground	Hertz
220-240	0.33-0.36	70-85	Yes	EURO 16A	-	60°F (15.5°C)	1	2	50-60

*When a BUNN is machine rated 120/208-240V, 120/208V or 120/240V, the higher voltage is the supply voltage needed to power the machine. The 120V is there to supply power to some components rated 120V in the machine, but it is not the supply voltage and would not power the machine if the machine is marked with the before mentioned ratings.

Plumbing Requirements

PSI	kPa	Fitting Supplied	Water Flow Required (GPM)
-	-	-	-

CAD Drawings

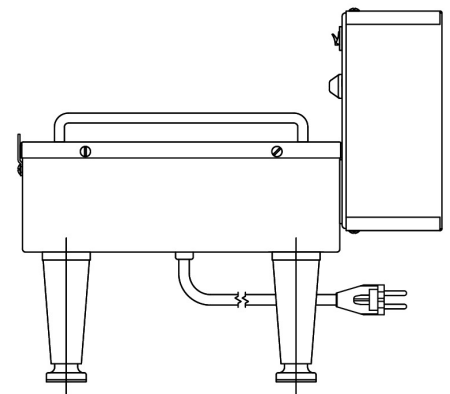
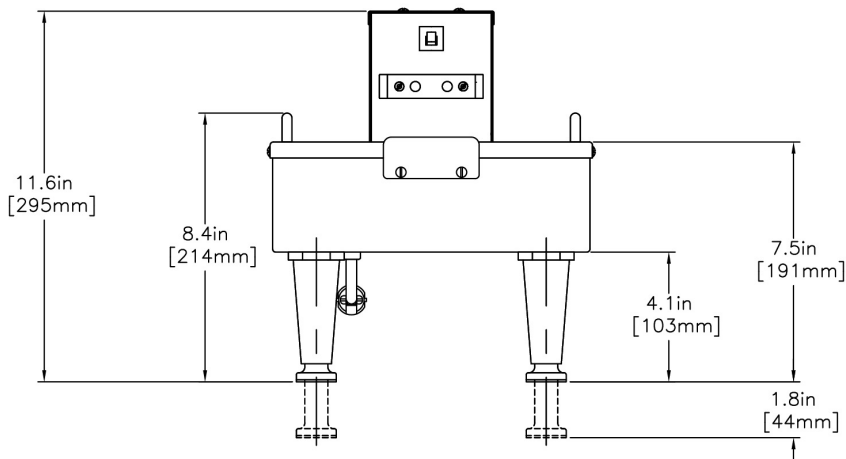
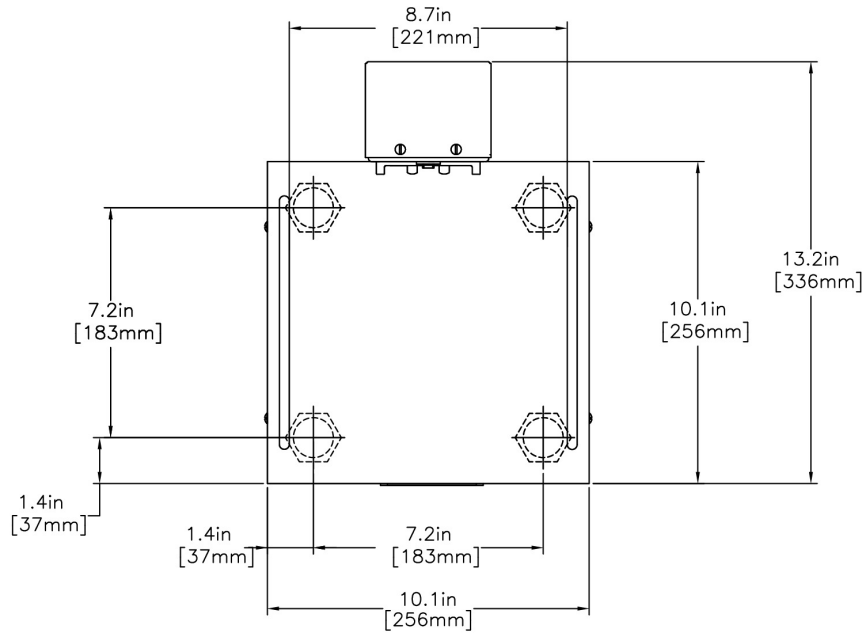
2D	Revit	KLC
●		

WARNING:



BUNN® reserves the right to change specifications and product design without notice. Such revisions do not entitle the buyer to corresponding changes, improvements, additions or replacements for previously purchased equipment. For most current specifications and other info visit bunn.com.

Last Updated:
02/27/2023



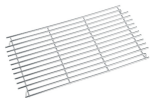
	Unit			Shipping				
	Height	Width	Depth	Height	Width	Depth	Weight	Volume
English	11.6 in.	10.1 in.	13.2 in.	10.6 in.	12.5 in.	15.9 in.	12.700 lbs	1.220 ft ³
Metric	29.5 cm	25.7 cm	33.5 cm	27.0 cm	31.7 cm	40.3 cm	5.761 kgs	0.035 m ³



BUNN® reserves the right to change specifications and product design without notice. Such revisions do not entitle the buyer to corresponding changes, improvements, additions or replacements for previously purchased equipment. For most current specifications and other info visit bunn.com.

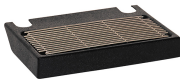
Last Updated:
02/27/2023

Related Products & Accessories: 1SH Soft Heat® Stand Stainless(27825.0001)



WIRE GRILL, DRIP TRAY
(SINGLE)

Product #: 26801.0000



DRIP TRAY KIT, SINGLE
STD & SH

Product #: 26830.0000



DRIP TRAY, W/PADS
(SINGLE TF)

Product #: 26918.1000



BUNN® reserves the right to change specifications and product design without notice. Such revisions do not entitle the buyer to corresponding changes, improvements, additions or replacements for previously purchased equipment. For most current specifications and other info visit bunn.com.

Last Updated:
02/27/2023

Serving & Holding Options: 1SH Soft Heat® Stand Stainless(27825.0001)



SH SERVER, 1.5G/5.7L
NO FL ADJ TMR

Product #:27850.0001



SH SERVER, 1.5G/5.7L
BLK NO FL ADJ TMR

Product #:27850.0004



SH SERVER, 1.5G/5.7L
45 MIN ADJ TMR

Product #:27850.0006



SH SERVER, 1.5G BLK
60 MIN ADJ TMR

Product #:27850.0008



SH SERVER, 1.5G 120
MIN ADJ TMR AUTO OFF

Product #:27850.0009



SH SERVER, 1.5G/5.7L
240 MIN ADJ TMR

Product #:27850.0016



SH SERVER, 1.5G/5.7L
BLK 120 MIN ADJ TM

Product #:27850.0022



SH-S SERVER 1G 60
MIN ADJ TMR

Product #:27850.0046



BUNN® reserves the right to change specifications and product design without notice. Such revisions do not entitle the buyer to corresponding changes, improvements, additions or replacements for previously purchased equipment. For most current specifications and other info visit bunn.com.

Last Updated:
02/27/2023