



sorbetto



granita



milkshake



frozen cream



Exclusive Features

Quick serve dispensing system

Total cold system

"Seal-Less" drive shaft system which eliminates mandatory preventive maintenance

Electronic system, density control and auto diagnostic

Removable external condenser air-filter



extended lifespan & durability



high performance

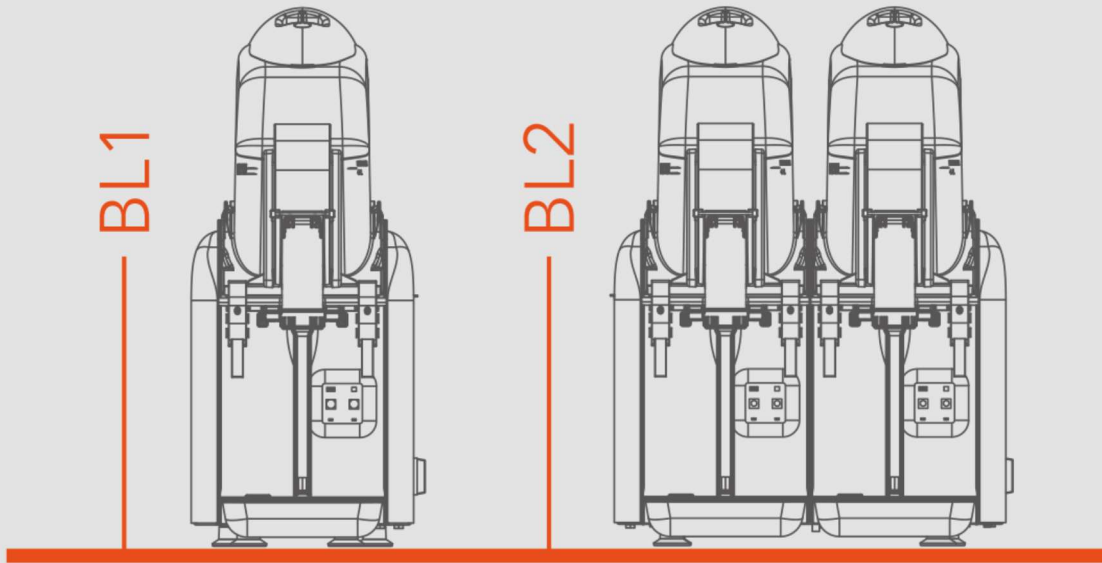


lower energy consumption



up to 40% in savings





DIMENSION			WEIGHT		CAPACITY		POWER		VOLTAGE
H	W	D	KG.	LB.	LT.	GAL.	W	HP	V/HZ
606 mm 23.8 inc	250 mm 9.90 in	463 mm 18.23 in	22,2	49	7,5	1.98	450	0.43	220/240/50 220/60 115/60 100/50-60
606 mm 23.8 inc	440 mm 17.3 in	463 mm 18.23 in	32.5	71.65	15	3.96	560	0.72	220/240/50 220/60 115/60 100/50-60



COLOURS AVAILABLE



5 years on compressor parts (USA / Canada only)
3 years on electronic parts (USA / Canada only)
2 years on functional parts
1 years on labor

